



YLI ELECTRONIC

# Narrow-type Electric Strike with Signal

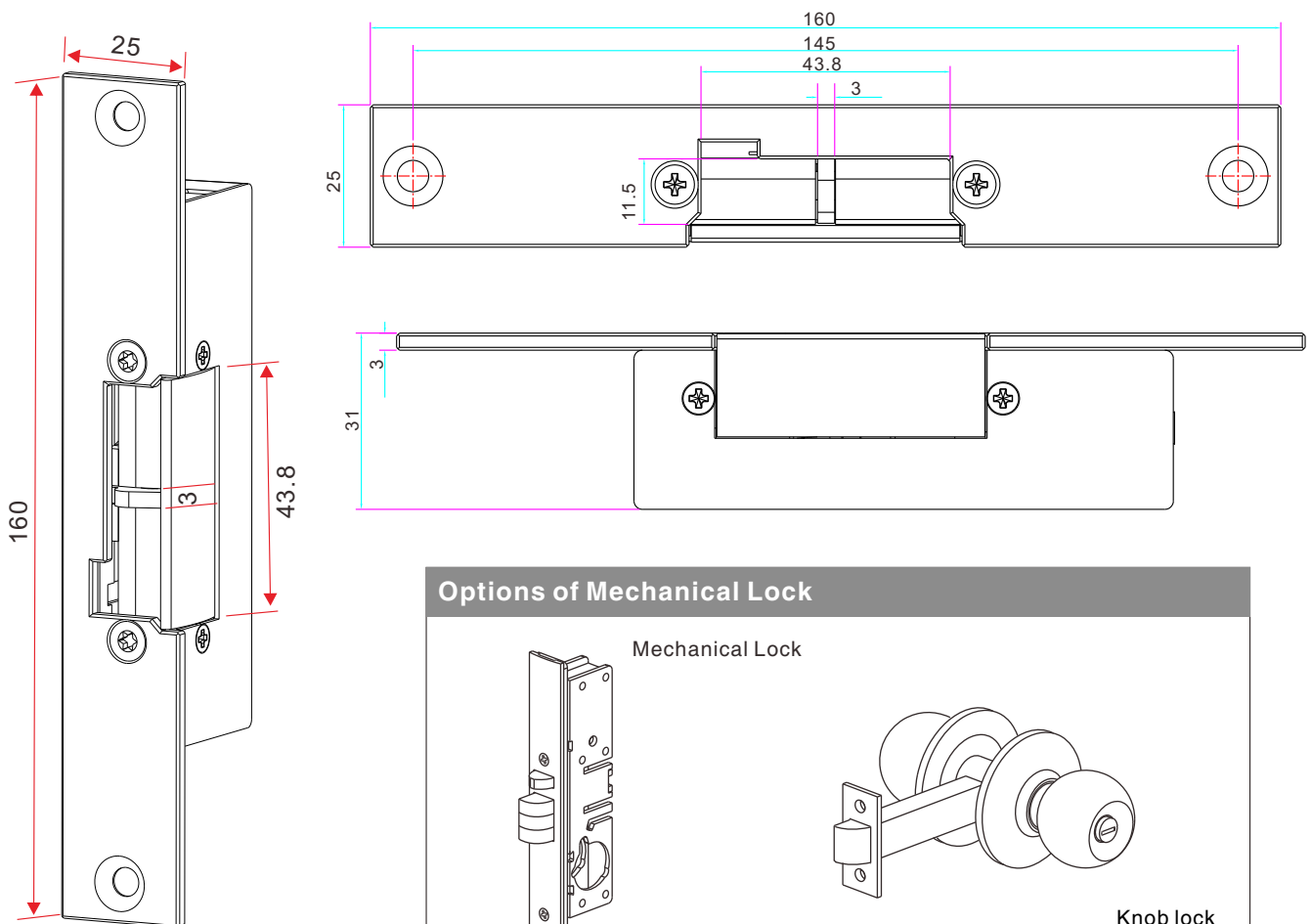


Model:YS-131NO/NC-S

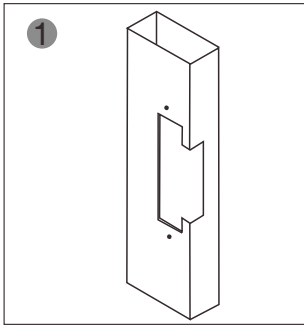
## Specification

<b>Size</b>	160Lx25Wx31H(mm)
<b>Voltage</b>	12VDC
<b>Current</b>	200mA
<b>Feature</b>	FailSecure(YS-131NO-S) FailSafe(YS-131NC-S)
<b>Suitable For</b>	Wooden Door, Metal Door
<b>Finishing</b>	Electroplating
<b>Weight</b>	0.4kg

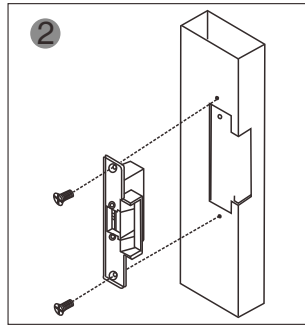
## Diagram(unit:mm)



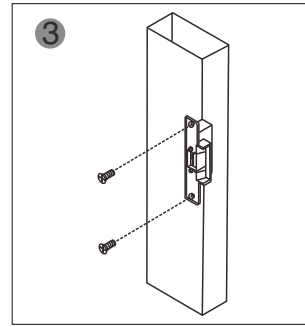
# Installation



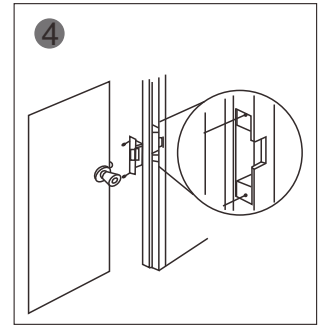
1 Cut hole according to the dimension of strike.



2 Assemble the lock and connect it to the power to test

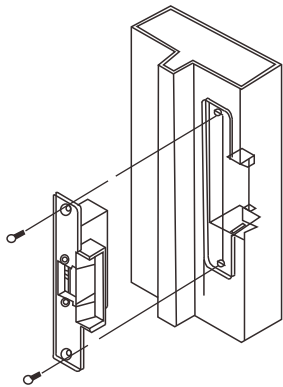


3 Fix the electric strike

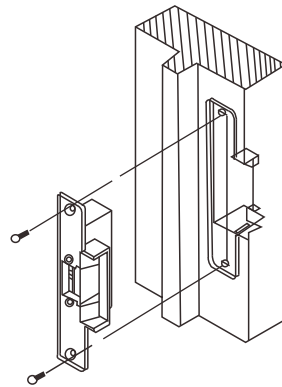


4 Finished

## Suitable for



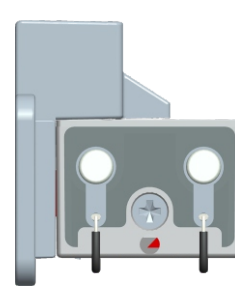
Metal Door Frame



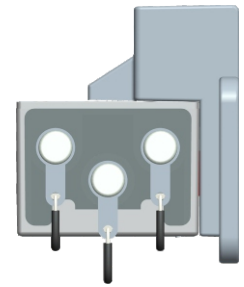
Wooden Door Frame

## Signal Output

- NO  Green  N.C. contact output : open status
- COM  Yellow  Door Status output
- NC  White  N.O. contact output : closed status
- +  Black  12VDC (Positive and negative are the same)
- Black  the same



12VDC



NO COM NC

## Wire connection

